

3.6.1 TECHNICAL DATA

MAX OPERATING PRESSURE (PS): 16 bar

PRESSURE TEST (PT): 1.43 x PS

NOMINAL CAPACITIES: 100 - 150 - 200 - 300 - 500 - 750 - 1000 - 1500
- 2000 - 3000 - 4000 - 5000 litres

WORKING TEMPERATURE: -30 ÷ +100 °C

COMPRESSION RATIO (Po : P2): max. 1 : 4

FLUID VISCOSITY RANGE: 10 ÷ 400 cSt

RECOMMENDED VISCOSITY: 36 cSt

FLUID CONTAMINATION DEGREE:
class 21/19/16 according to ISO 4406/99

BODY MATERIAL:

- carbon steel shell painted with rust inhibitor RAL 5015 up to 1500 lt;
- RAL 9010 for capacities from 2000 lt to 5000 lt
- stainless steel AISI 316L

VALVES MATERIAL:

- phosphated or galvanized carbon steel in compliance with Directive 2002/95/EC (RoHS) to resist to corrosion
- stainless steel AISI 316L

BLADDER MATERIAL:

- **P** = Nitrile rubber (NBR)
- **B** = Butyl (IIR)
- **E** = Ethylene-propylene (EPDM)

See Table 3.6c and/or Chapter 1.5

FILLING VALVE CONNECTION:

- 5/8"-UNF std
- 7/8" UNF
- 1/4" BSP

FLUID PORT CONNECTION: see Table 3.6e

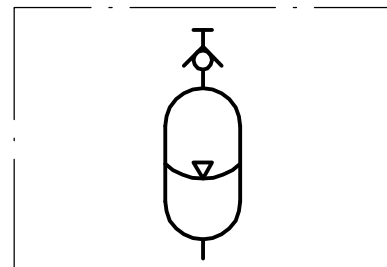
FLOW RATE: see Table 3.6e

WEIGHT: see Table 3.6e



3.6a

3.6.2 HYDRAULIC SYMBOL



3.6b

3.6.3 “ASE” BLADDER ADVANTAGES

- dirt tolerant
- light weight
- compact
- simple construction
- quick response
- works well on water, low lubricity fluids
- quick, easy installation
- low cost

3.6.4 DESCRIPTION

ASE Bladder-type accumulators consist of a cylindrical pressure vessel made of high-tensile steel.

The accumulator is subdivided into a gas and fluid side by an elastic bladder mounted in the interior of the vessel.

The nitrogen is charged to the specified gas charge pressure P_0 by means of gas valve at the external of the bladder.

When the fluid is pressed into the bladder, the gas in the accumulator is compressed and hence the pressure increased. The gas volume reduces and on the fluid side, the fluid can flow into the bladder. As soon as the pressure on the fluid side falls below the gas pressure, the accumulator is emptied.

A special oil valve (anti-extrusion plate) is provided in the oil port in order to prevent draining of the bladder into the oil channel and thus the bladder from being destroyed.

When the minimum operating pressure is reached, a small oil volume is to be maintained between the bladder and the fluid volume (approx. 10% of the nominal capacity of the hydraulic accumulator), in order that the bladder does not hit the valve during every expansion process.

Gas valve consists of a sealing cap, a filling valve and an adapter.

The nameplate shows the technical data and features of the hydraulic accumulator.

3.6.5 EUROPE MARKET

All hydraulic accumulators are pressure vessels and are subject to the national regulations and directives, valid at the place of installation.

Every shipping batch is complete of a conformity declaration and instruction of use and maintenance and/or all documents requested.

All vessel categories (see Table 3.6e) must be protected by means of a pressure relief valve in accordance with Directive 97/23/EC.

3.6.6 ACCESSORIES

For gas side's safety equipment, see Cap. 8

For fluid side's safety equipment, see Cap. 9

For pre-loading and charging set, see Cap. 11

For other components, see Cap. 12

3.6.7 BLADDER-TEMPERATURE-LIQUID COMPATIBILITY

When selecting the accumulator variant, pay attention to the following non-binding notes with regard to hydraulic fluid, bladder material and the permissible temperature range. (see Section 1.5)

Code letter	Polymer	ISO	Temperature range (°C)	Some of the liquids compatible with the polymer
P	Standard nitrile (Perburan)	NBR	-20 ÷ +80	Aliphatic hydrocarbons (propane, butane, gasoline, oils, mineral greases, diesel fuel, fuel oil, kerosene), mineral greases and oils, HFA - HFB - HFC fluids, many dilute acids, alkalis, saline solutions, water, water glycol.
B	Butyl	IIR	-30 ÷ +100	Hot water up to 100°C, glycol-based brake fluids, many acids and bases, salt solutions, polar solvents such as alcohols, ketones and esters, polyglycol-based hydraulic fluids (HFC fluids) and bases of esters of phosphoric acid (HFD-R fluids), silicone oils and greases, Skydol 500 and 7000, resistance to ozone, aging and weathering.
E	Ethylene-Propylene	EPDM	-30 ÷ +100	Hot water up to 100°C, glycol-based brake fluids, many organic and inorganic acids, detergents, solutions of sodium and potassium, phosphate ester-based hydraulic fluids, (HFD-R), silicone oils and greases, many polar solvents (alcohol, ketones, esters), Skydol 500 and 7000, resistance to ozone, aging and weathering.

For other hydraulic fluid and/or temperatures, please consult us.

3.6c

3.6.8 ORDER CODE

1	2	3	4	5	6	7	8	9	10	11	12	13	14	15			
ASE	500	P	16	C	B	4/150	V	-	8	-	C	0	C	0	ELM25	/	1,5

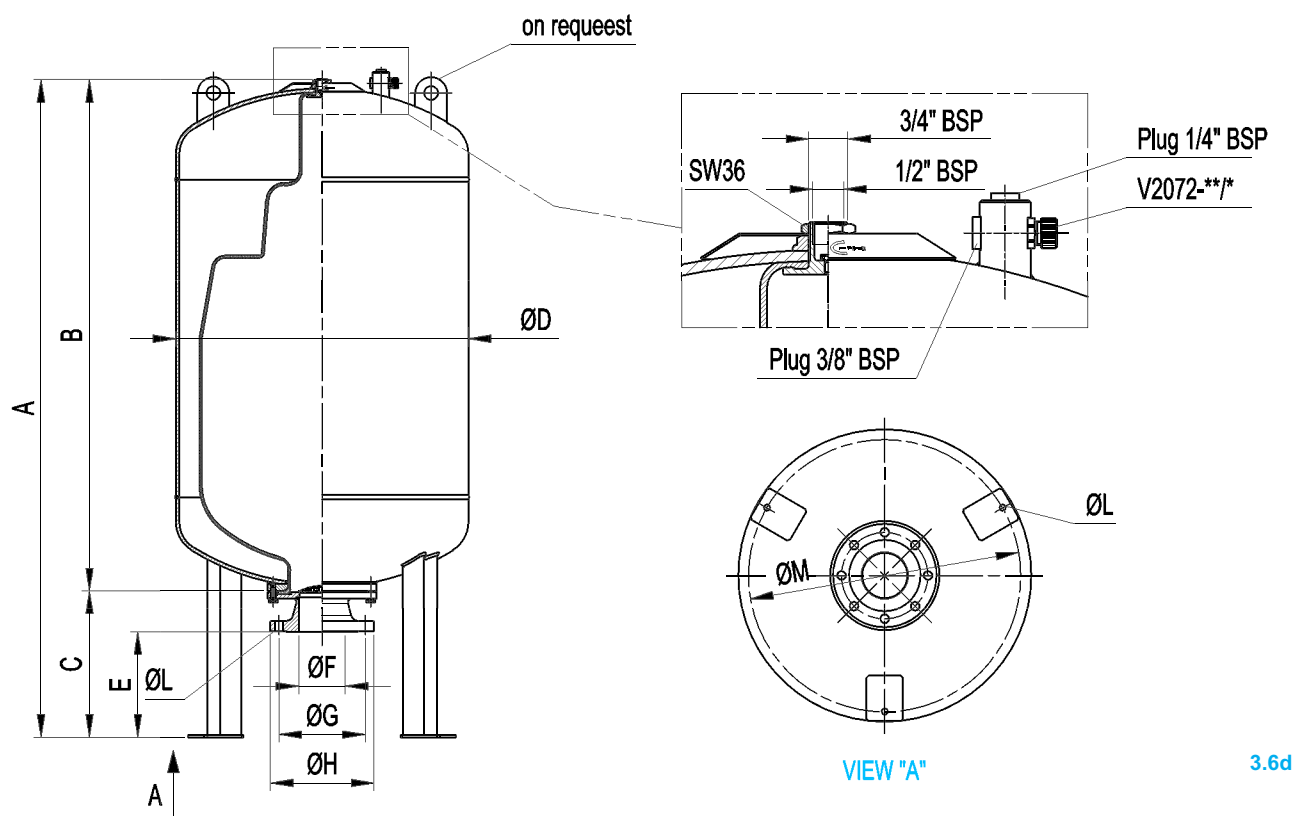
1 Series	Bladder accumulator = ASE
2 Nominal capacity	100 lt = 100 150 lt = 150 200 lt = 200 300 lt = 300 500 lt = 500 750 lt = 750 1000 lt = 1000 1500 lt = 1500 2000 lt = 2000 3000 lt = 3000 4000 lt = 4000 5000 lt = 5000
3 Bladder material	Nitrile rubber (NBR) = P Butyl (IIR) = B Ethylene-propylene (EPDM) = E
4 Max working pressure (PS)	See the table on front page
5 Body material	Carbon steel = C Stainless steel = X
6 Fluid port connection	Flange ANSI = B Flange UNI = U
7 Dimension of the connection fluid	For the type of connection: B = DIMENSION/RATING Former. 4" ANSI 150 = 4/150 U = DN/PN Former. DN100 PN10 = 100/10 Special variants upon request
8 Type of filling valve	Standard filling valve 5/8" UNF thread = V Standard filling valve with 5/8" UNF thread in stainless steel = VX Without filling valve (thread hole M12x1.5) = V0 Brass filling valve 1/4" BSP = V2 Filling valve 7/8" UNF = V4
9 Testing and certification	Factory testing = 0 PED 97/23/EC = 8 ATEX 94/9EC = 9
10 Fluid valve material	Carbon steel = C Stainless steel = X
11 Variants of fluid side	Standard = 0 Other numbers/variants to be requested EPE
12 Gas valve material	Carbon steel = C Stainless steel = X
13 Variants of gas side	Standard = 0 Other numbers/variants to be requested EPE
14 Other variants	See the table on front page
15 Precharge pressure (bar)	Standard 1.5 bar = 0 ÷ 6 (< PS)

Special variants upon request

4 Max working pressure (PS)		
Capacity litres	Carbon steel	Stainless steel
100 ÷ 500	750 ÷ 5000	10 -16
750 ÷ 5000	10	10

14 Other variants
Dumper + Safety valve, type VS2470-11 set at 11 bar = F11
Dumper + Needle Valve of 1/4" BSP = EG2
Dumper + Stainless steel needle Valve of 1/4" BSP = EG2X
Dumper + excluding device with with full scale pressure gauge of xxx bar (see Section...) = EMxxx
Dumper + excluding device of 90° with full scale pressure gauge of xxx bar = ELMxxx
Flushing with degree of contamination ≤ x = Fx
75-80 μ thick polyurethane paint with colour to be specified = Wxxx
Off-shore paint with colour to be specified = Zxxx
NORSOK System 1 paint with colour to be specified = K1
NORSOK System 7 paint with colour to be specified = K7
other variants upon request

3.6.9 DIMENSIONS



3.6d

Acc. type ASE in carbon steel and stainless steel	Nominal gas volume liters	Working pressure bar	Ped category liquids of group 2	Max.diff. pressure P2-P1 bar	Flow rate l/min	Max.comp. ratio P0/P2	A ± 10 mm	B mm	C mm	Ø D ± 10 mm	E mm	Ø F mm	Ø G mm	Ø H mm	Ø L mm	N° fixing holes	Ø M mm	Acc. dry weight kg
ASE 100	100	10 + 16	II + III	4	300	1:4	880	560	320	460	232	102,4	190,5	233	19	8	-	18
ASE 150	150	10 + 16	III	4	300	1:4	1030	710	320	510	232	102,4	190,5	233	19	8	-	22
ASE 200	200	10 + 16	III + IV	4	300	1:4	1100	780	320	590	232	102,4	190,5	233	19	8	440	35
ASE 300	300	10 + 16	III + IV	4	300	1:4	1280	960	320	650	232	102,4	190,5	233	19	8	440	45
ASE 500	500	10 + 16	III + IV	4	300	1:4	1600	1280	320	750	232	102,4	190,5	233	19	8	550	60
ASE 750	750	10	IV	4	300	1:4	1850	1530	320	800	232	102,4	190,5	233	19	8	-	75
ASE 1000	1000	10	IV	4	300	1:4	2130	1810	320	800	232	102,4	190,5	233	19	8	-	85
ASE 1500	1500	10	IV	4	300	1:4	2130	1810	320	1000	232	102,4	190,5	233	19	8	-	105
ASE 2000	2000	10	IV	4	300	1:4	2550	2550	320	1100	232	102,4	190,5	233	19	8	-	140
ASE 3000	3000	10	IV	4	300	1:4	2930	2610	320	1250	232	102,4	190,5	233	19	8	-	205
ASE 4000	4000	10	IV	4	300	1:4	3030	2710	320	1450	232	102,4	190,5	233	19	8	-	250
ASE 5000	5000	10	IV	4	300	1:4	3800	3480	320	1450	232	102,4	190,5	233	19	8	-	310

3.6e

* The maximum differential pressure is the maximum allowable difference between the maximum pressure and the minimum working pressure (P2-P1) to have an infinite life cycle of the accumulator (greater than 2,000,000 cycles).

** Flow rate measured using mineral oil with viscosity of 36 cSt at 50°C and ΔP = 5 bar

3.6.10 SPARE PARTS CODE

Item	Description	Q.ty	Type					
			ASE 100	ASE 150	ASE 200	ASE 300	ASE 500	ASE 750
1	Bladder	1	S100*** - 0	S150*** - 0	S200*** - 0	S300*** - 0	S500*** - 0	S750*** - 0
2	Gas-fill valve	1	V 2072 - ** / *					
Item	Description	Q.ty	Type					
			ASE 1000	ASE 1500	ASE 2000	ASE 3000	ASE 4000	ASE 5000
1	Bladder	1	S1000*** - 0	S1500*** - 0	S2000*** - 0	S3000*** - 0	S4000*** - 0	S5000*** - 0
2	Gas-fill valve	1	V 2072 - ** / *					

* Gasket material ** Component material *** Bladder material

3.6f

03.6.11 COMMISSIONING AND MAINTENANCE

Delivery conditions

Bladder accumulators are delivered pre-charged with nitrogen at a pressure of 1.5 bar or at value of pressure required at time of order. The pre-charge value is also on the nameplate of the accumulator. The bladder accumulators type ASE are shipped in cartons on pallets or, upon request, in wooden crates. Unless otherwise required, certificates and documentation are provided together with the accumulators.

Handling

The original packaging is suitable for handling and general storage. Where necessary, you should use suitable lifting equipment to support the weight of the accumulators.

However protect from impact the packaging and handle it with care.

Storage

During storage in the warehouse, leave the product in its original packaging, keeping it away from heat sources and naked flames. The storage temperature should be between +10 and +40°C.

After six years of storage, it is essential to proceed with the replacement of all elastomeric parts before the commissioning.

Marking on the nameplate of the accumulator

With reference to the PED 97/23/EC classification, Article 3, Paragraph 3 and / or risk categories I or II depending on the volume and maximum working pressure, the accumulator indicates the following data:

- Logo, name and country of the manufacturer
- Month/year of production
- Product code
- Serial number
- Maximum PS pressure and PT test pressure in bar
- Min. and max. TS working temperature in Celsius
- Volume V in litres
- Group of fluids allowed
- CE marking (for volumes exceeding 1 litre) with the identification number of the notified body
- Pre-charge pressure in bar

It is strictly forbidden to:

- weld, rivet or screw any item of the accumulator
- engrave or permanently stamp the surfaces of the accumulator shell and / or carry out other operations that could affect or change the mechanical properties of the accumulator
- use the accumulator as a structural element: it should not be subjected to stresses or loads
- change the data of the nameplate and / or accumulator without the permission of the manufacturer

- use a (dangerous) fluid of Group 1 with equipment designed and manufactured for fluids of Group 2.

Installation

Before installation, you must perform a visual check to verify that the accumulator has not suffered any damage during shipping / handling.

Verify that the requested type matches with what stamped on the nameplate. We recommend using the accumulator with a suitable security valve (see Chapter 8) or a security block type BS (see Chapter 9).

This device provides user and equipment protection against possible damage caused by pressure surges and also makes the maintenance of the accumulator easier, facilitating the interception and the discharge. Provide for a space of 200 mm above the gas pre-charge valve to allow access to and control of the pre-charge equipment (see Chap.11.1).

The accumulators type ASE may be installed with the pre-charge valve at the top, and the nameplate must be visible. Proceed to the assembly so that no abnormal force affects the pipes connected directly or indirectly to the accumulator. Make sure the fluid is compatible with the elastomer of the bladder. Check that the max. allowed accumulator pressure is equal to or greater than that of the hydraulic circuit and that the temperature during operation is maintained within the range expected.

Make sure the fluid does not contain contaminants and/or abrasive.

Pre-charge of nitrogen

Normally, the bladder accumulators are delivered pre-charged with pressurized gas. The pre-charge of gas can be controlled and / or adjusted before or after installation of the accumulator in the hydraulic circuit.

For the pre-charge, use only industrial dry nitrogen with a purity of min. 99%. It is important to use the nitrogen from a bottle equipped with a pressure reducing valve (see Chap.11.3). Use the EPE pre-charge and charging set type PC to check the charging pressure required, and adjust if necessary. If the pre-charge pressure is lower than required, connect the charging hose on one side and the other side connect it to the nitrogen bottle or to the pressure reducer. Slowly fill the nitrogen in the accumulator until reaching a pressure slightly higher than that set value (+ 10 ÷ 15%). Close the bottle and remove the charging hose from the pre-loading set; wait until the gas temperature has stabilized (2 hours) and calibrate the pressure, discharging the excess gas. Make sure that the gas valve is not subject to losses and, if necessary, use soap and water.

Tighten the protective caps manually.

Hydraulic pressurization

- Check that the pre-charge pressure is adequate for the application
- Ensure that the hydraulic pressure never exceeds the max pressure allowed (PS) shown on the accumulator shell.

To avoid this risk, use a safety device (see Chap. 9).

Maintenance

- Periodically check the pre-charge pressure of the gas: after the commissioning, check after 2-3 weeks of operation and if there were no leaks, repeat the operation after 3 months; if the pressure at the same temperature was stable, repeat the test yearly.
For heavy-duty applications, check the pre-charge every 6 months.
- Periodically (yearly) carry out a visual inspection of the accumulator in order to detect any early signs of deterioration such as corrosion, deformation, etc.
- Comply with the requirements of the regulations concerning the verification of the functionality of the equipment according to the country of installation of the accumulator.

Repair

If for failure, scheduled check or retest it is necessary to remove the accumulator from the system, prior to removal, isolate the accumulator from the installation and discharge pressure of the liquid. It may consist in replacing the bladder, the seals, the pre-charge valve and/or the parts of the gas and fluid valve. For reasons of functionality and security, it is recommended to use only original spare parts.

Demolition and recycling of the accumulator

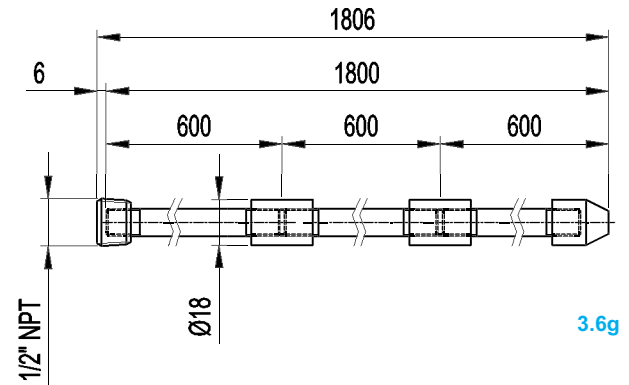
Before accumulator demolition or recycling, you should always discharge completely the pre-charge pressure and remove the gas valve. If needed, proceed decontaminating in relation to the fluid used prior to demolition.

3.6.12 REPAIR TOOLS

3.6.12.1 BLADDER PULL ROD

The pull rod screwed for the gas valve of the bladder for easy assembly into shell during rassembly. Pull rod is complete with fitting for EPE gas valve and 3 extension segments to accommodate all size of accumulators. Code for complete kit: **B2505-P4**.

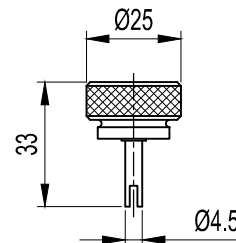
Dimension



3.6g

3.6.12.2 CORE TOOL

The core tool is used to remove and reinstall the valve core type V4. Code **B2508**



3.6h

Reproduction is forbidden.

In the spirit of continuous improvement, our products may be changed.