

Rotary Joint

# 4000HO-T1 Series

Media Type  
**Hot Oil**

Max. Speed  
**400 RPM**

Max. Pressure  
**7 BAR**

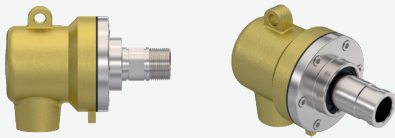
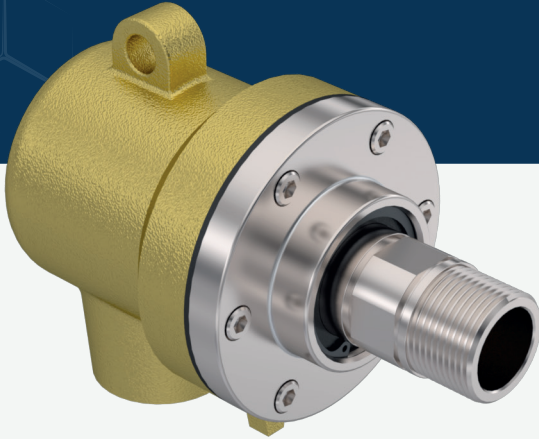
Max. Temperature  
**280 °C**

Connection Type

**BSP, BSPT, NPT, FL, Metric 2" DN50 - 2 1/2" DN65**

Rotor Size

**2" DN50 - 2 1/2" DN65**

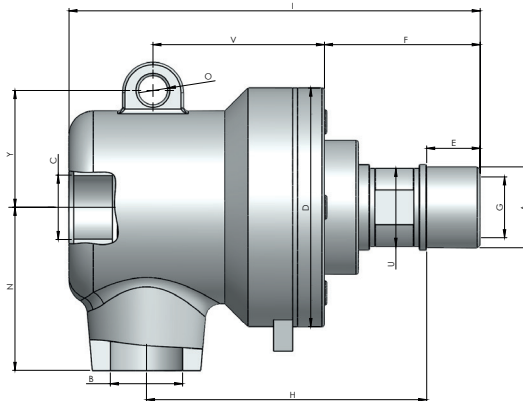


Rotary joint for Hot Oil (Max. 280°C)

- ✓ Single & duoflow design
- ✓ Nodular casting housing
- ✓ Stainless steel shaft and inner components
- ✓ Carbon Graphite ( Antimony)sealing parts
- ✓ Stationary or rotating siphon system
- ✓ Threaded, Qr & flanged connection

**!** Do not operate without fluid.

## DIMENSIONS



SIZE	B	MODEL NO	A	C	DØ	I	E	F	GØ	N	Y	H	U	V	OØ	LØ	S	T	KG
15	1/2" NPT	4050-111-106-HO	1/2" NPT - RH	3/8" NPT	92	147	20	60	15	53,50	42	101	22	58	12				2,40
15	1/2" NPT	4050-111-107-HO	1/2" NPT - LH	3/8" NPT	92	147	20	60	15	53,50	42	101	22	58	12				2,40
15	1/2" NPT	4050-111-100-HO	Ø24	3/8" NPT	92	147		60	15	53,50	42	104		58	12	22	6	11	2,40
15	1/2" BSP	4050-211-206-HO	1/2" BSP - RH	3/8" BSP	92	147	20	60	15	53,50	42	101	22	58	12				2,40
15	1/2" BSP	4050-211-207-HO	1/2" BSP - LH	3/8" BSP	92	147	20	60	15	53,50	42	101	22	58	12				2,40
15	1/2" BSP	4050-211-100-HO	Ø24	3/8" BSP	92	147		60	15	53,50	42	104		58	12	22	6	11	2,40
20	3/4" NPT	4075-111-108-HO	3/4" NPT - RH	1/2" NPT	92	156	20	60	18	60	44,50	105,50	27	66,50	12				2,95
20	3/4" NPT	4075-111-109-HO	3/4" NPT - LH	1/2" NPT	92	156	20	60	18	60	44,50	105,50	27	66,50	12				2,95
20	3/4" NPT	4075-111-100-HO	Ø30	1/2" NPT	92	156		60	18	60	44,50	105,50		66,50	12	28	8	13	2,95
20	3/4" BSP	4075-211-208-HO	3/4" BSP - RH	1/2" BSP	92	156	20	60	18	60	44,50	105,50	27	66,50	12				2,95
20	3/4" BSP	4075-211-209-HO	3/4" BSP - LH	1/2" BSP	92	156	20	60	18	60	44,50	105,50	27	66,50	12				2,95
20	3/4" BSP	4075-211-100-HO	Ø30	1/2" BSP	92	156		60	18	60	44,50	105,50		66,50	12	28	8	13	2,95

